

INSTRUCTION MANUAL

**1/8th ON-ROAD NITRO GT
4wd BELT DRIVE
MADE IN ITALY**

4.5T

NECESSARY EQUIPMENT TO OPERATE: 2CH RADIO AND 2 SERVOS / RECEIVER / BATTERY (FLAT PACK) / REAR EXHAUST ENGINE 3.5CC / CLUTCH / GEAR PIGNON/ MUFFLER / MANIFOLD / MANIFOLD SPRING / WHEELS AND TYRES / BODY / BODY PAINT / TOOLS / ENGINE STARTER / FUEL.

THE CONTENTS ARE SUBJECT TO CHANGE WITHOUT NOTICE DUE TO PRODUCT IMPROVEMENT AND SPECIFICATION CHANGES

i-FENIX



INTRODUCTION

4ST is a new generation high quality 1/8 GT CLASS scale car.

4ST is supplied in a box equipped with Instruction Manual.

Its use is intended for more than 16 years old persons with experience on rc model car field.

Children and all the persons without this requirement **MUST** have direct supervision of a knowledgeable adult responsible.

SAFETY PRECAUTIONS

Instruction Manual **MUST** be read and fully understood before to start building and operating functions.

Always keep Instruction Manual in safety place, ready to be consulted for any reference you need.

Use only original I-FENIX spare parts.

GENERAL INFORMATIONS

Assemble the kit only away from the reach of children.

Follow the building and operating instructions using the utmost care.

Don't put any part of your body inside rotating and moving elements as this may cause damage or serious injury.

Check and clean the model before putting it away.

Don't use your model car in public places or in roads and areas where it could generate conflict with person or vehicular traffic.

The model car is controlled by radio: you **MUST** put great care to avoid loss of radio control always keeping a safety margin all around your model in order to prevent any collision.

Operating frequency: check and be sure it is clear and not shared with anybody at same time; it could cause loss of control of the RC model.

Always turn on your transmitter before you turn on the receiver in the car and always turn off the receiver before you turn off your transmitter.

Keep the wheels of the model off the ground when checking the operation of the radio equipment.

Disconnect the battery pack before storing your model.

WARRANTY

I-FENIX guarantees this model kit to be free from defects in both material and workmanship within 30 days of purchase. The total monetary value under warranty will in no case exceed the cost of the original kit purchased.

This warranty doesn't cover any components damaged by use or modification or as result of wear.

Part or parts missing from this kit must be reported within 30 days of purchase.

No part or parts will be sent under warranty without proof of purchase.

If you find a defective or missing part, contact the local distributor.

Customer service and support will be provided through local hobby store.

No warranties are expressed or implied that cover damage caused by what is considered normal use or cover or imply how long any model cars' components or electric components will last before requiring replacement.

Due to the high performance level of this model car you will need to periodically maintain and replace consumable components; any and all warranty coverage will not cover replacement of any part or component damaged by neglect, abuse or improper or unreasonable use.

This includes but is not limited to damage from crashing, excessive moisture, improper use or no maintenance or user modifications which compromise the integrity of components.

Warranty will not cover components that are considered consumable on RC model car.

I-FENIX doesn't pay nor refund on any component sent from I-FENIX or its distributor for warranty.

I-FENIX reserves the right to make final determination of the warranty status of any component or part.

CUSTOMER SUPPORT

Please don't hesitate to contact I-FENIX support at info@i-fenix.it for any problem or question.

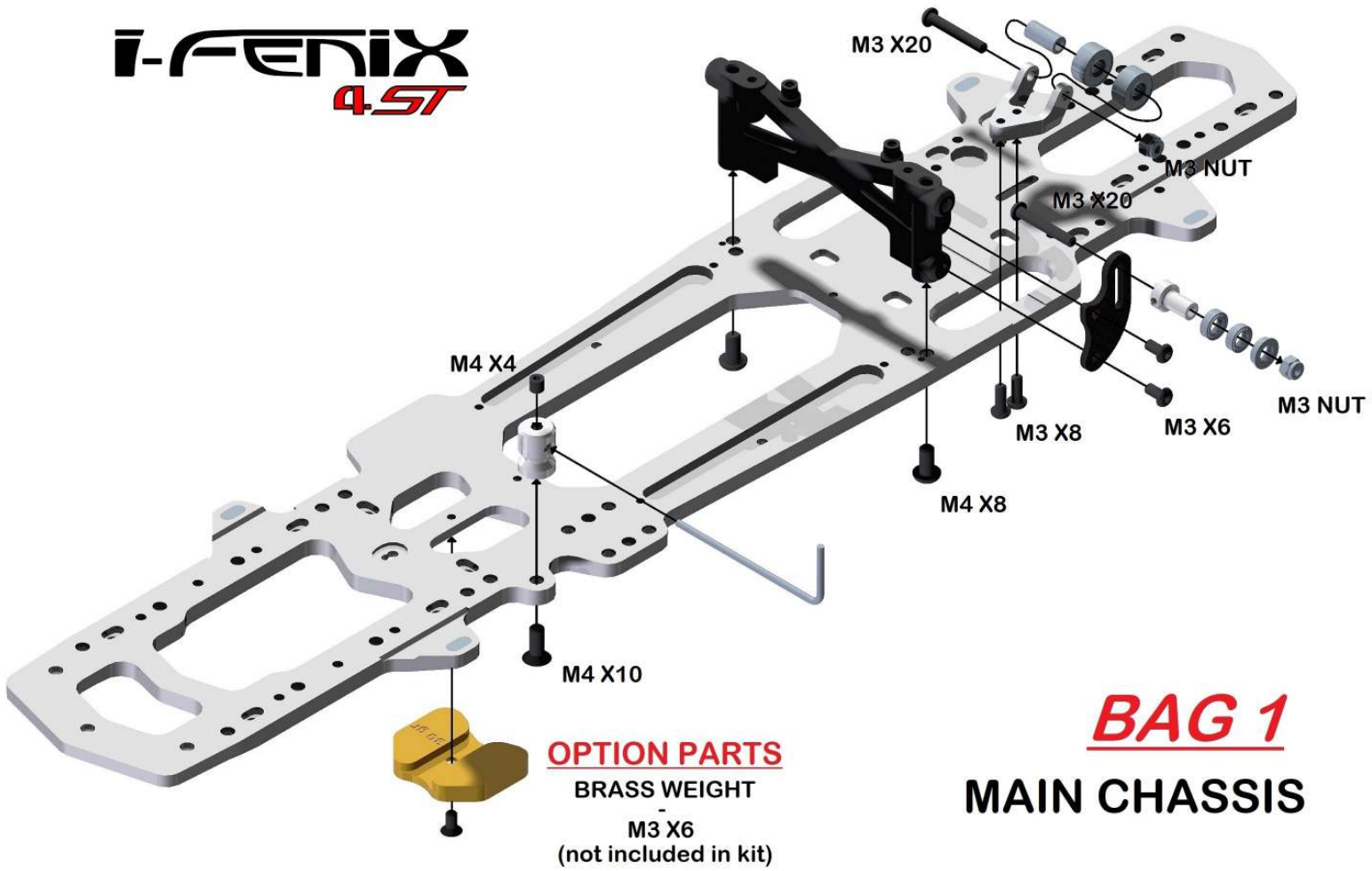
Also kindly visit our website www.i-fenix.it to find last updates, set-up information, option parts and other information.

Phone: 0039 328 8731755

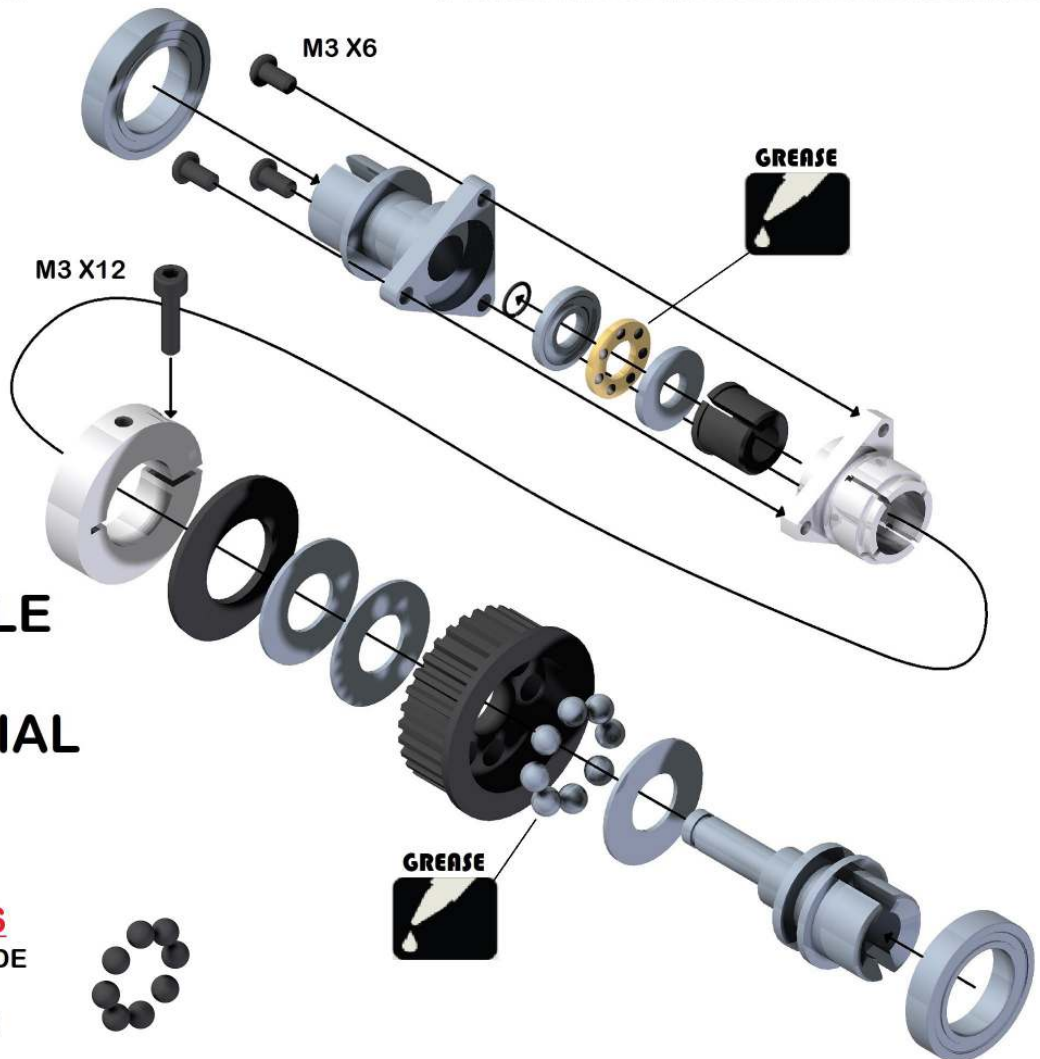
E-mail: info@i-fenix.it

Website: www.i-fenix.it





BAG 1
MAIN CHASSIS



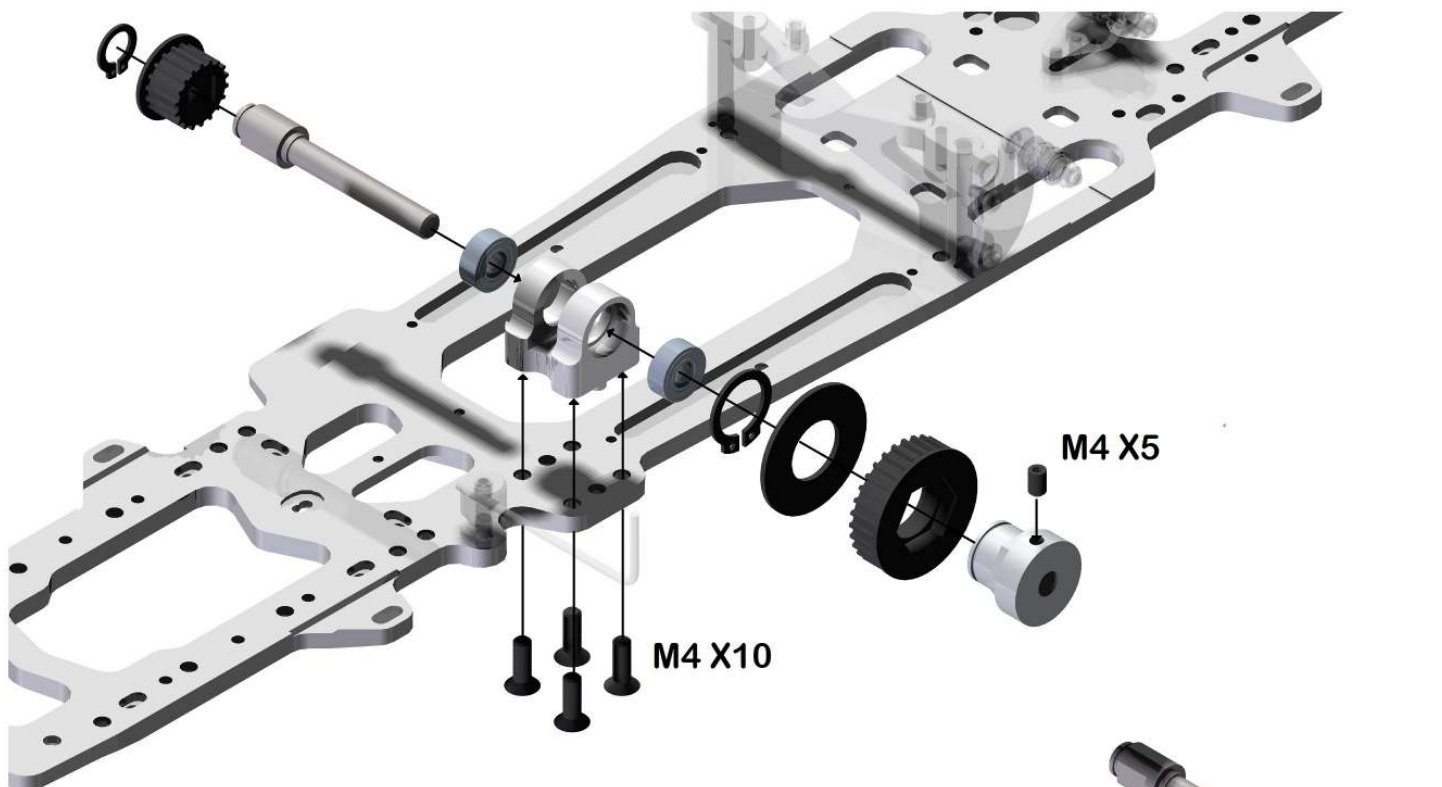
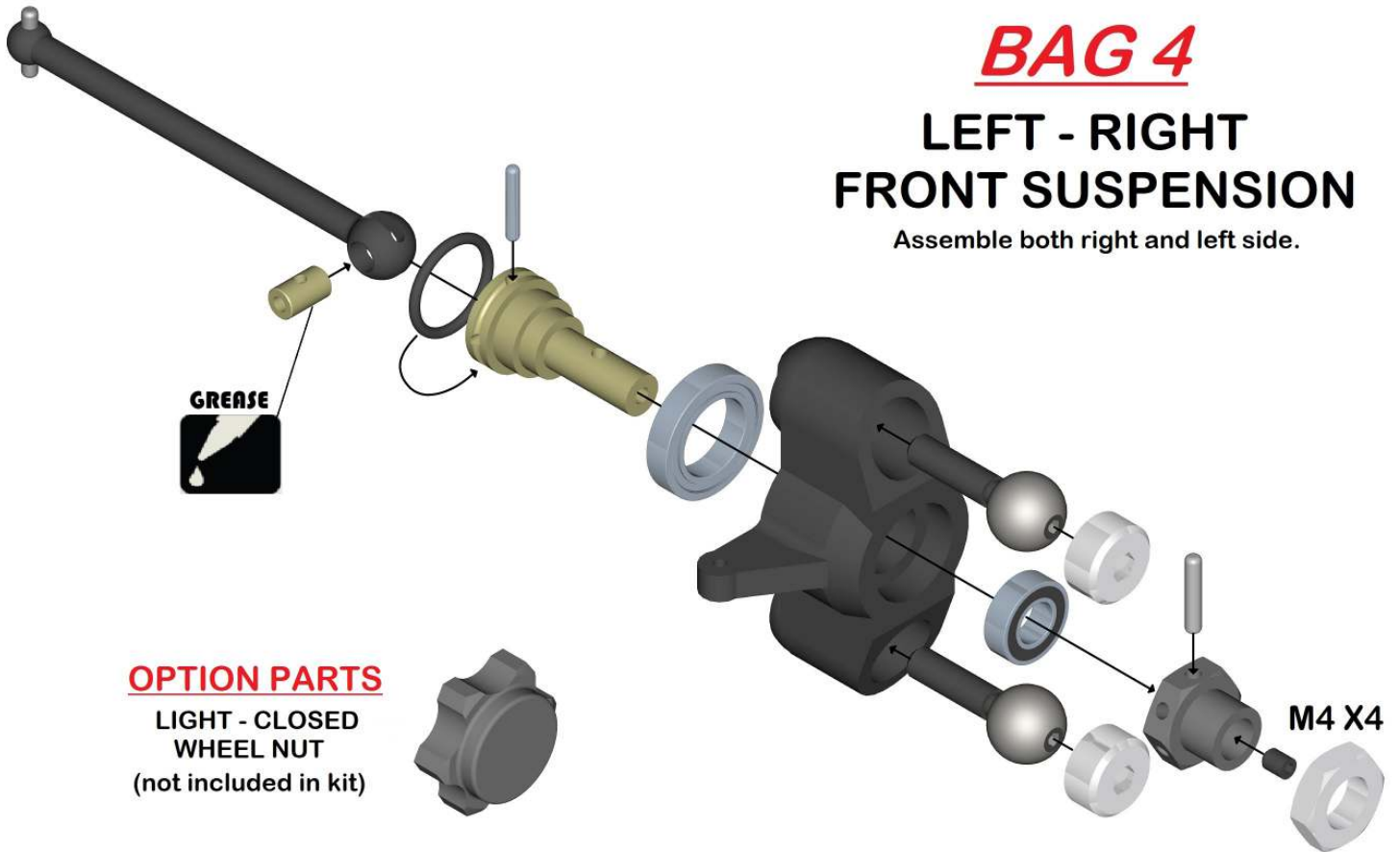
BAG 2
ADJUSTABLE FRONT DIFFERENTIAL

OPTION PARTS
Si3N4 SILICON NITRIDE
CERAMIC BALLS
(not included in kit)

BAG 4

LEFT - RIGHT FRONT SUSPENSION

Assemble both right and left side.

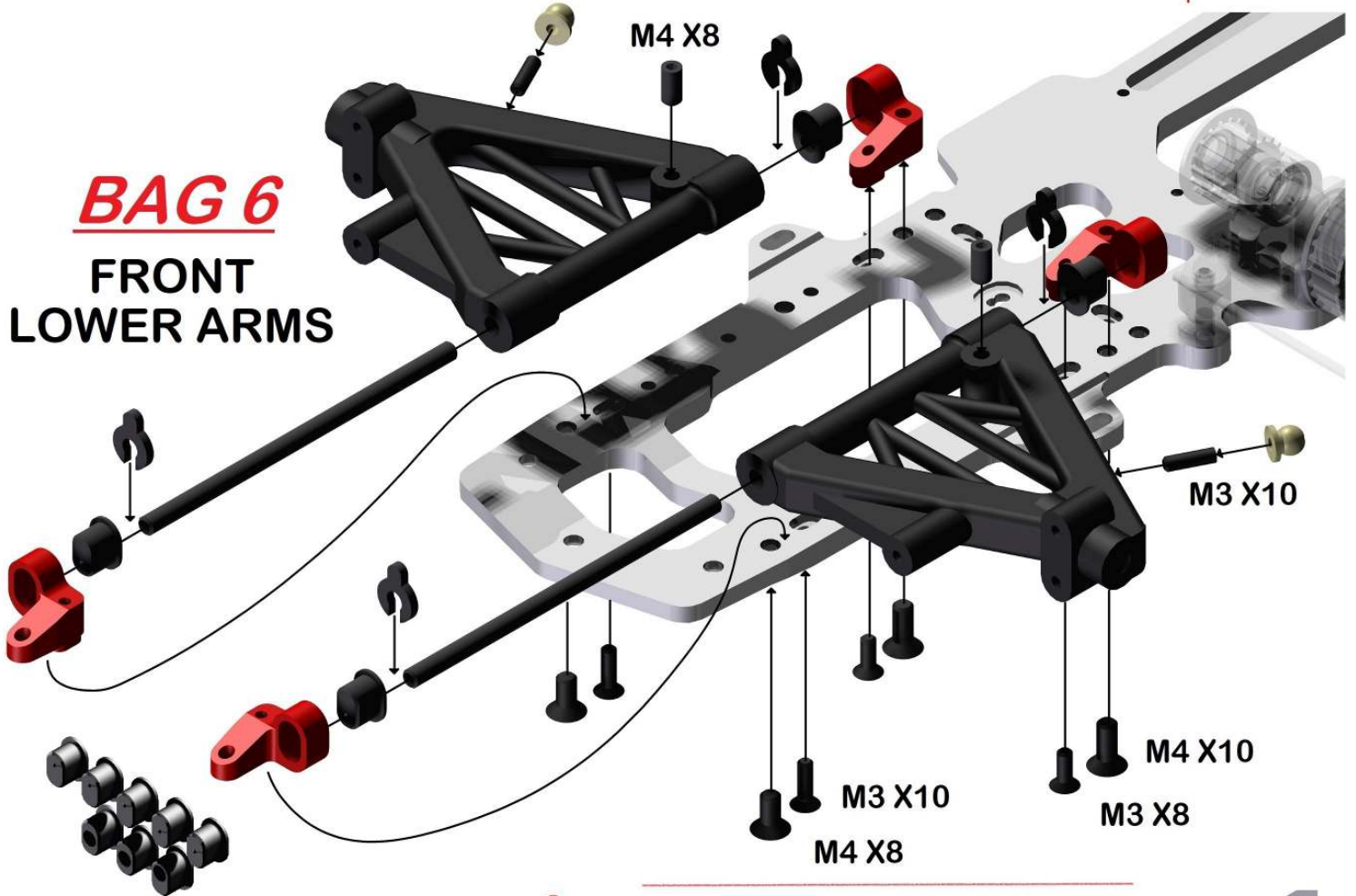


BAG 5

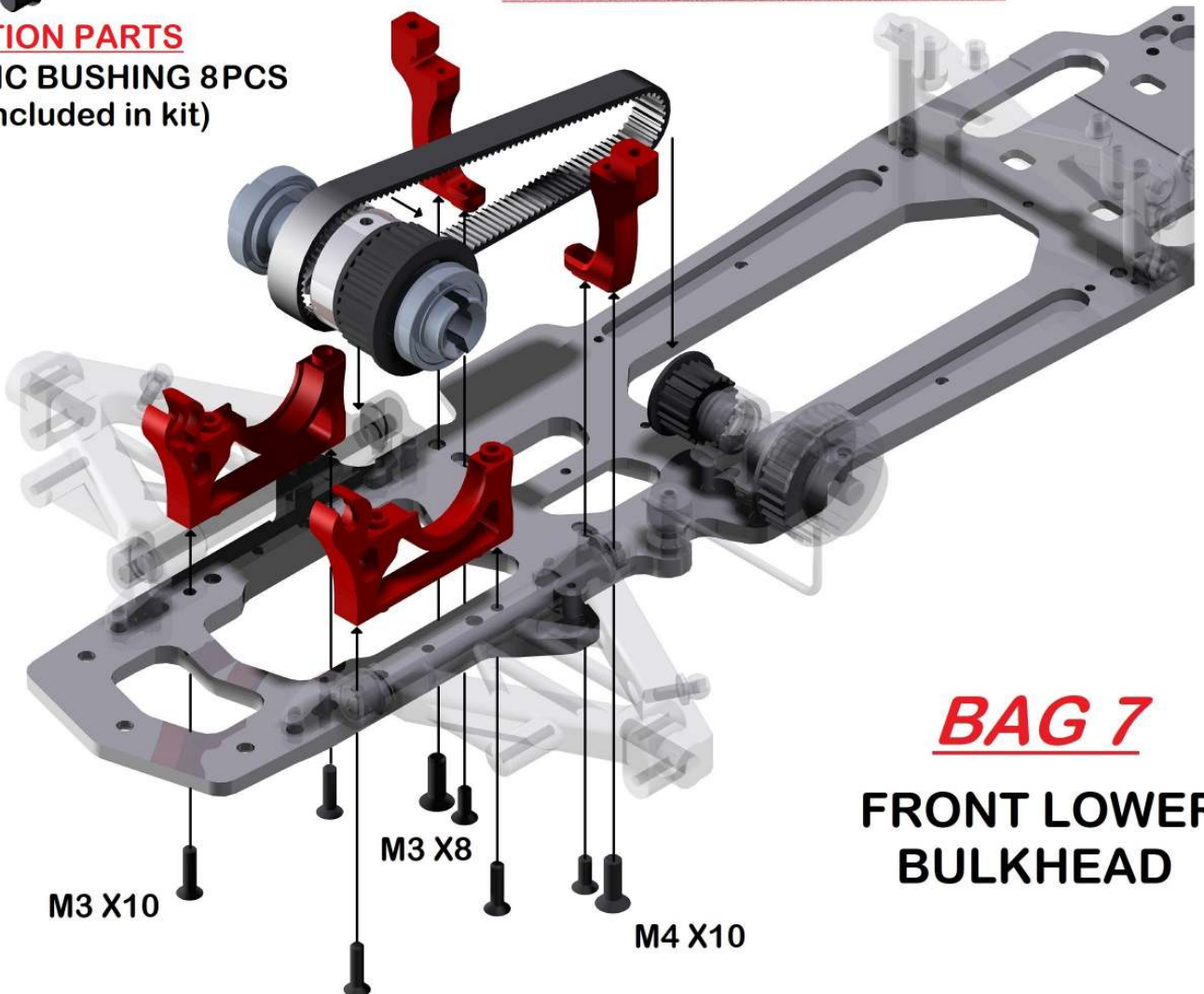
FRONT SOLID AXLE



BAG 6 FRONT LOWER ARMS



OPTION PARTS
ECCENTRIC BUSHING 8PCS
(not included in kit)

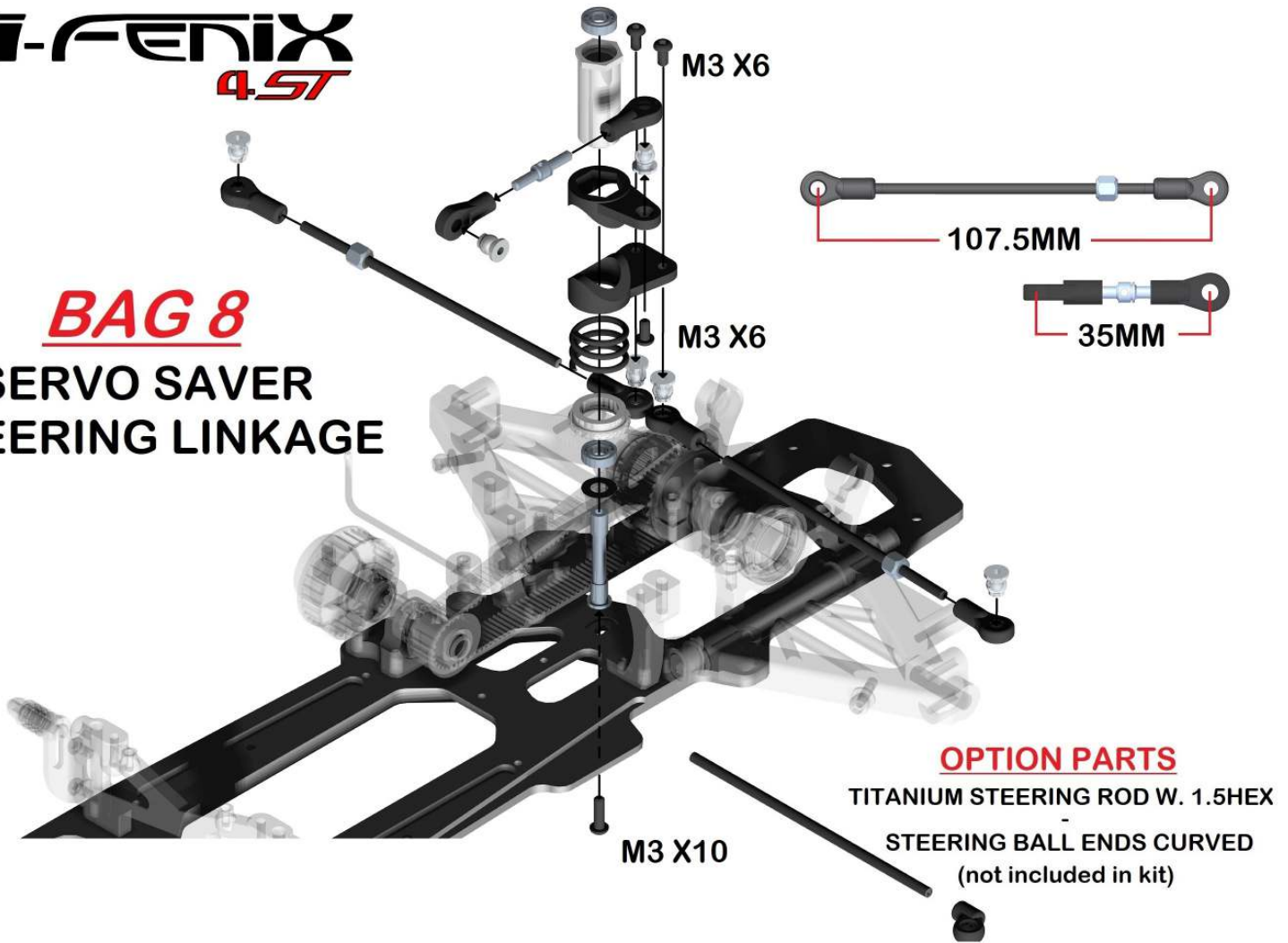


BAG 7 FRONT LOWER BULKHEAD

i-FENIX
4.5T

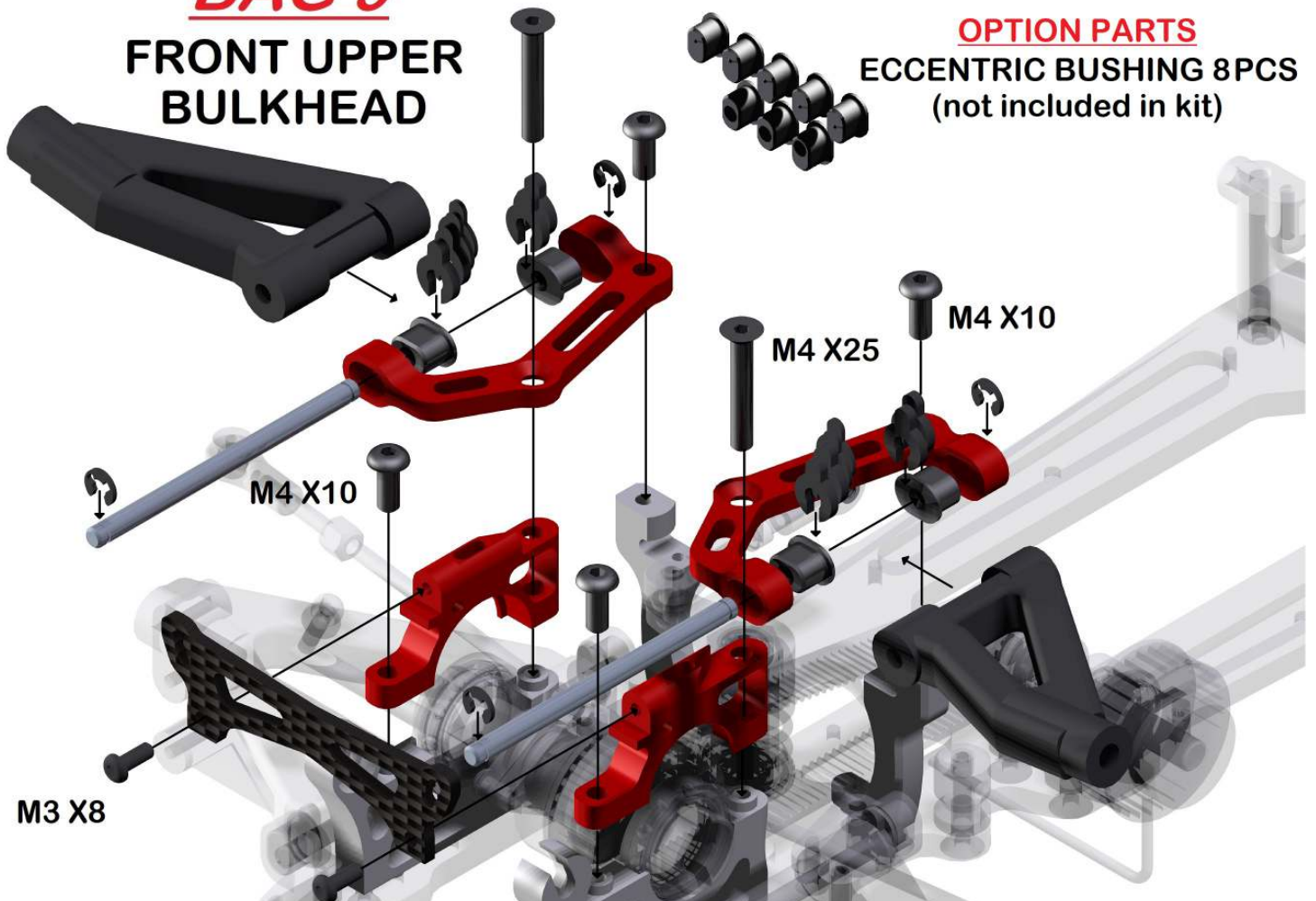
BAG 8

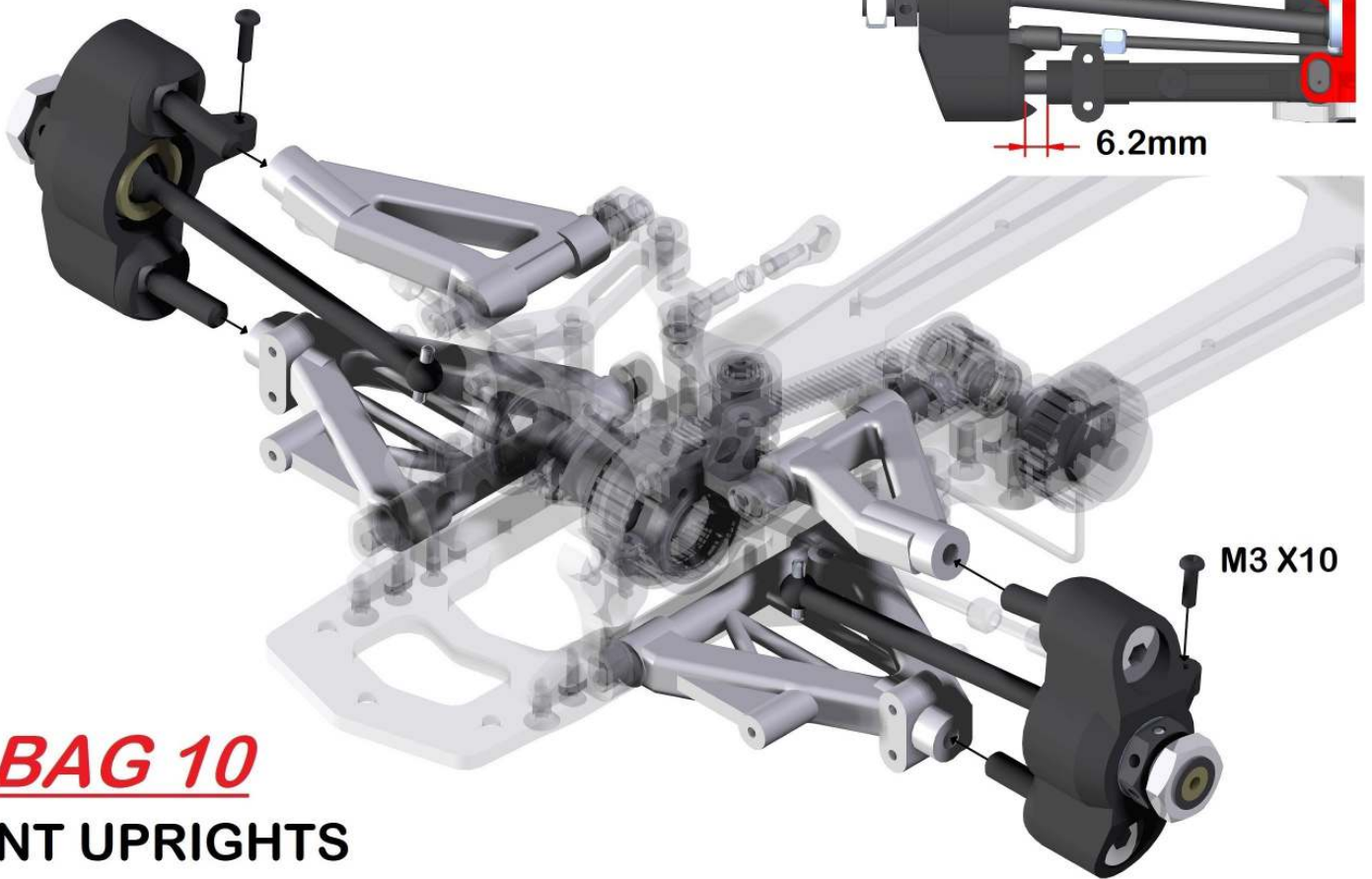
**SERVO SAVER
STEERING LINKAGE**



BAG 9

**FRONT UPPER
BULKHEAD**



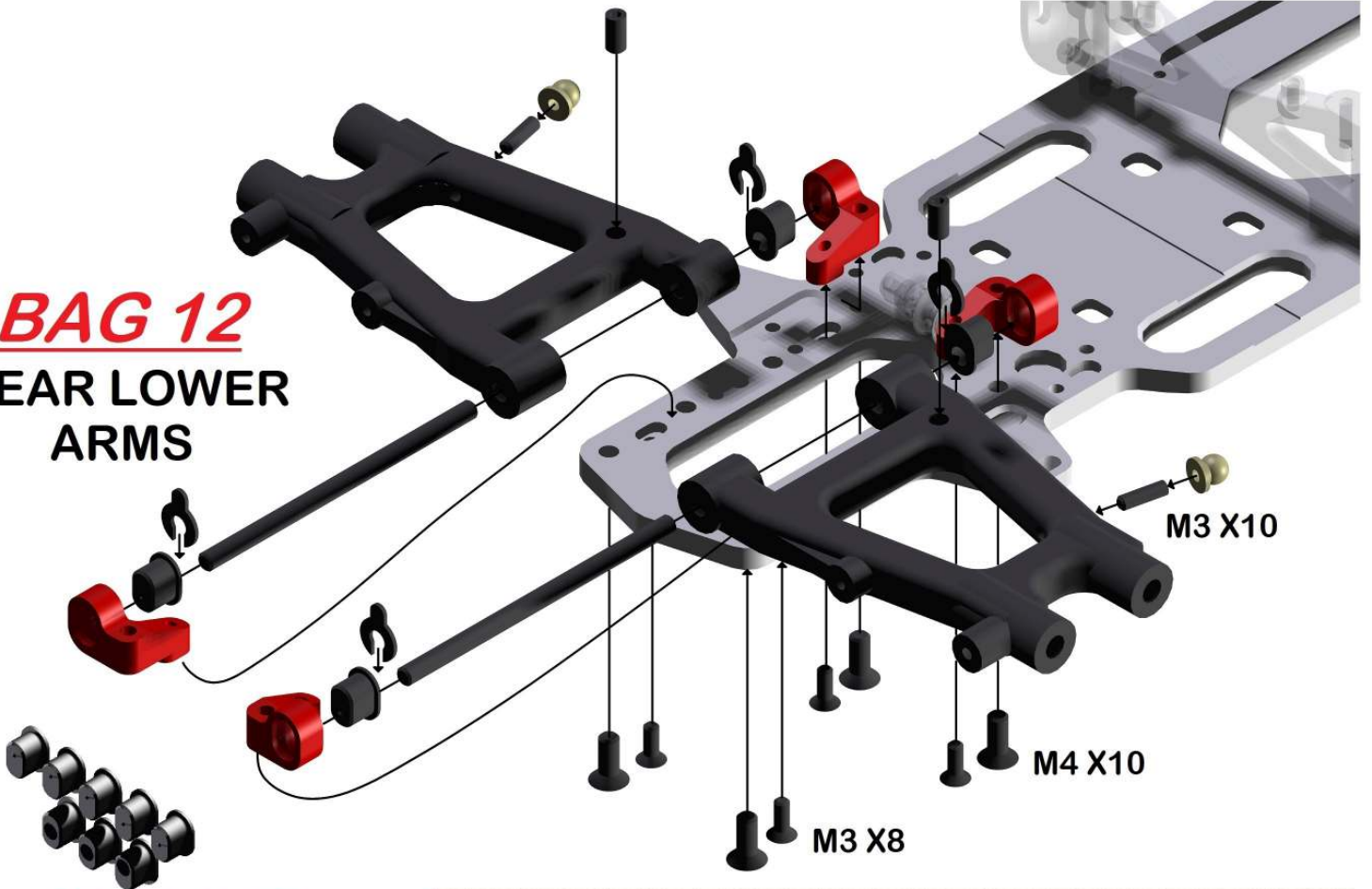


BAG 10 FRONT UPRIGHTS



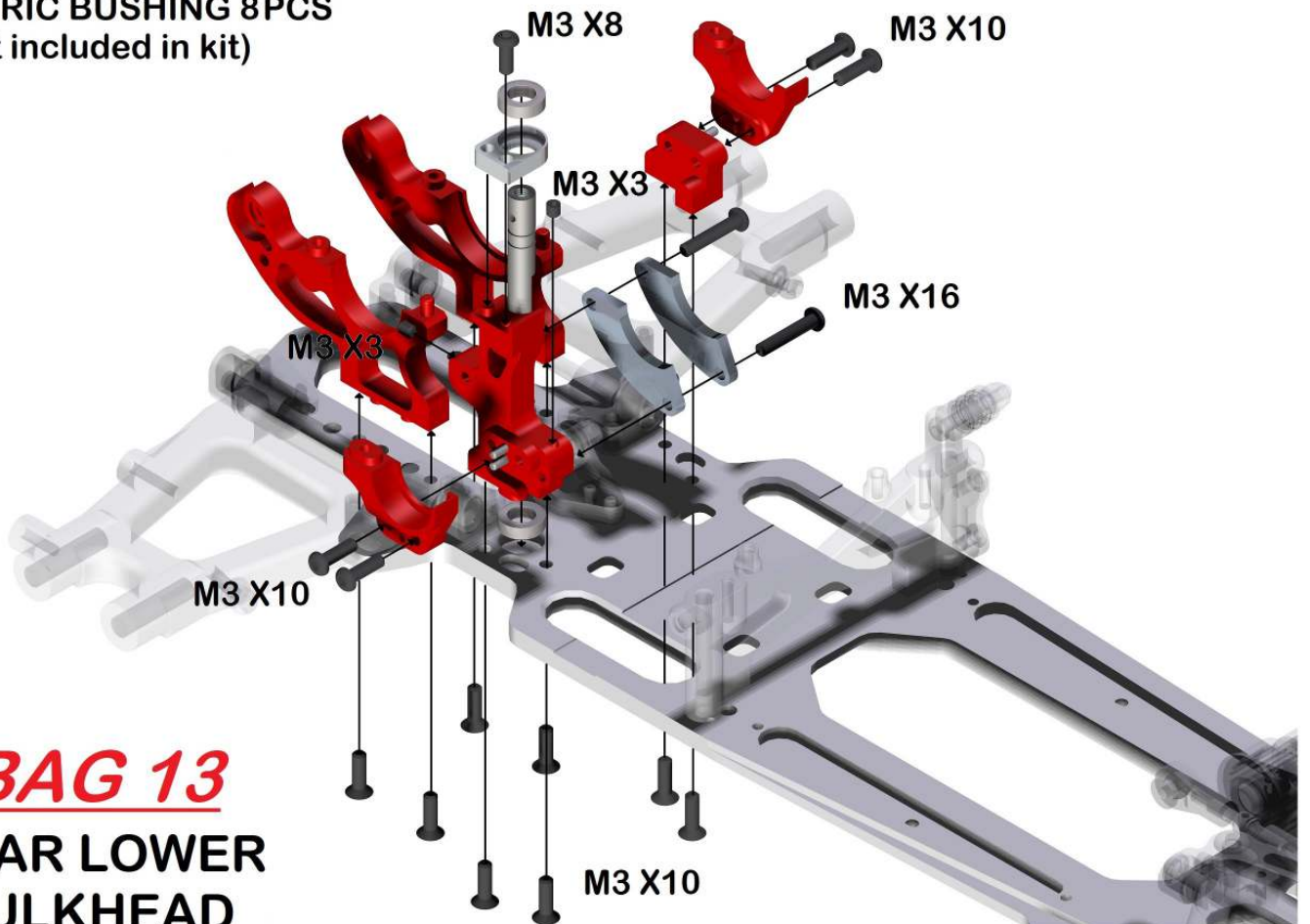


BAG 12 REAR LOWER ARMS



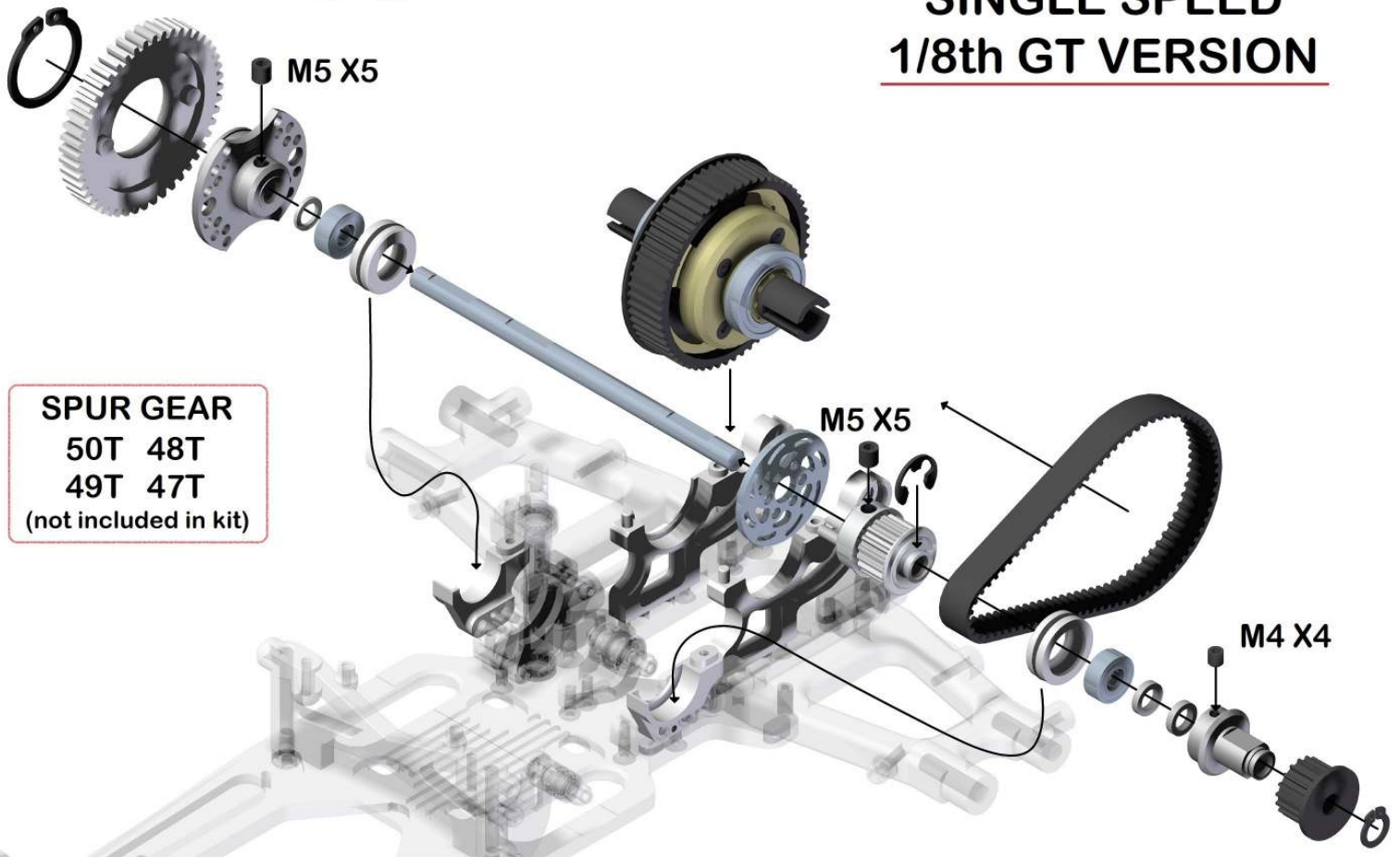
OPTION PARTS

ECCENTRIC BUSHING 8PCS
(not included in kit)



BAG 13 REAR LOWER BULKHEAD

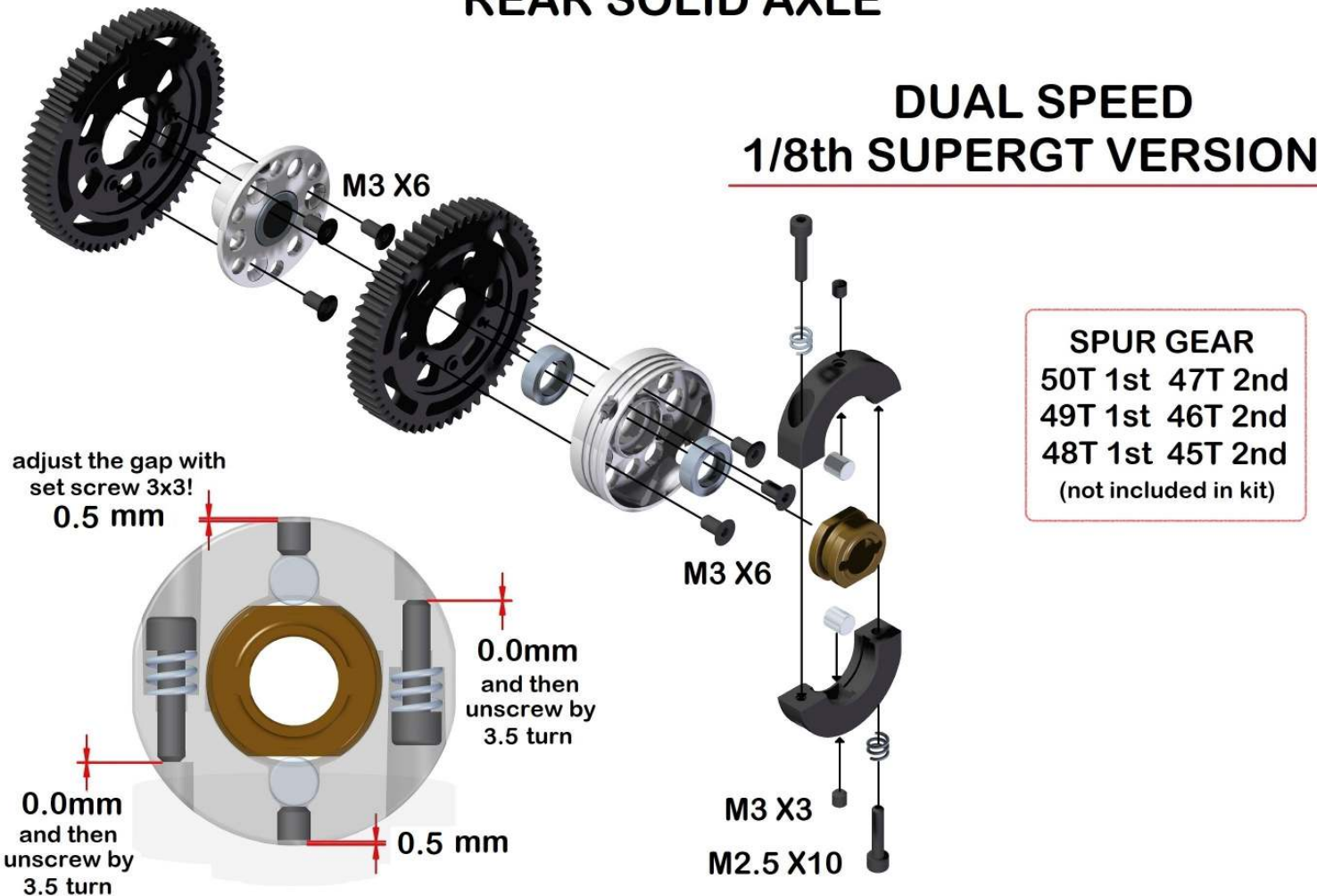
SINGLE SPEED 1/8th GT VERSION



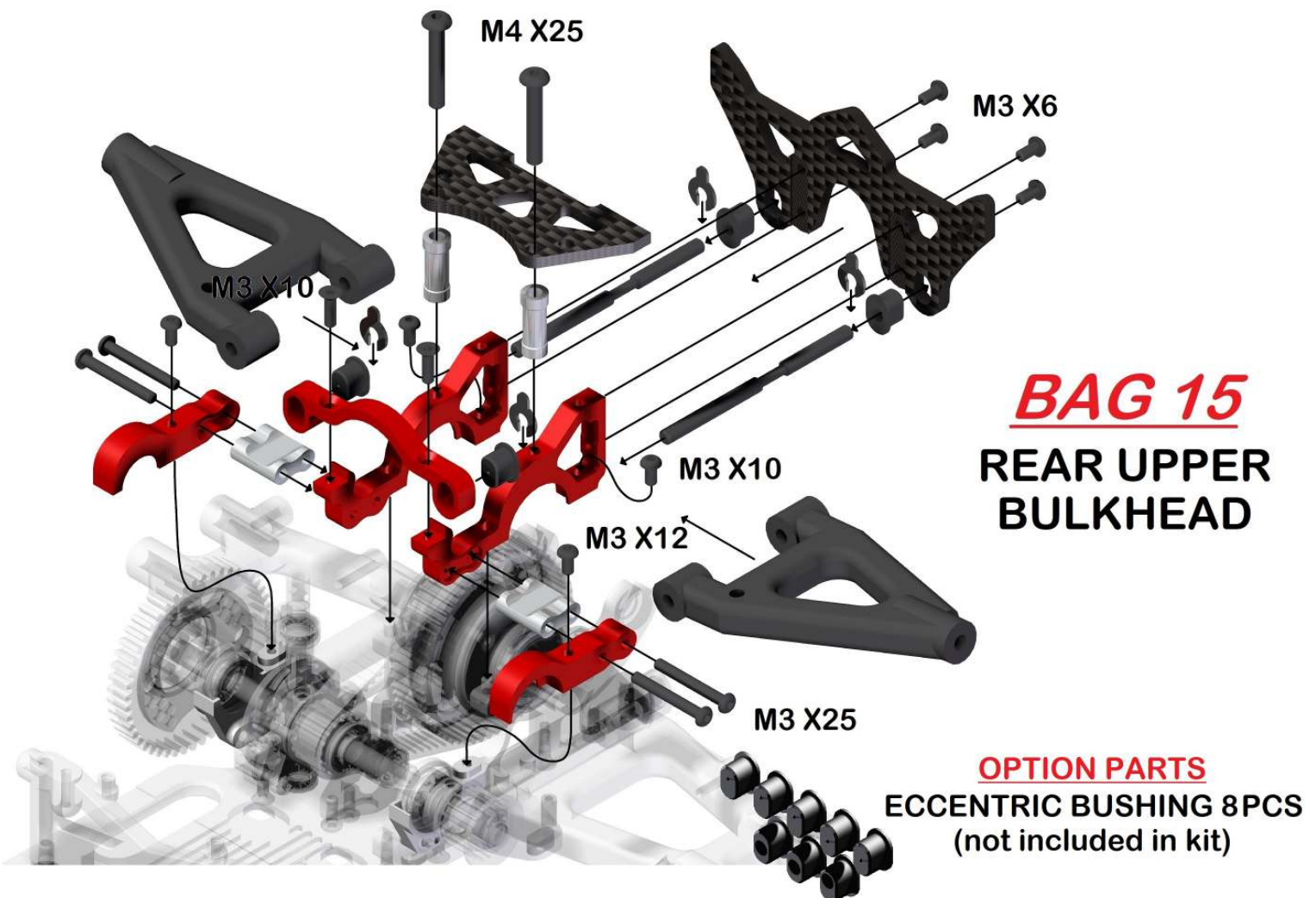
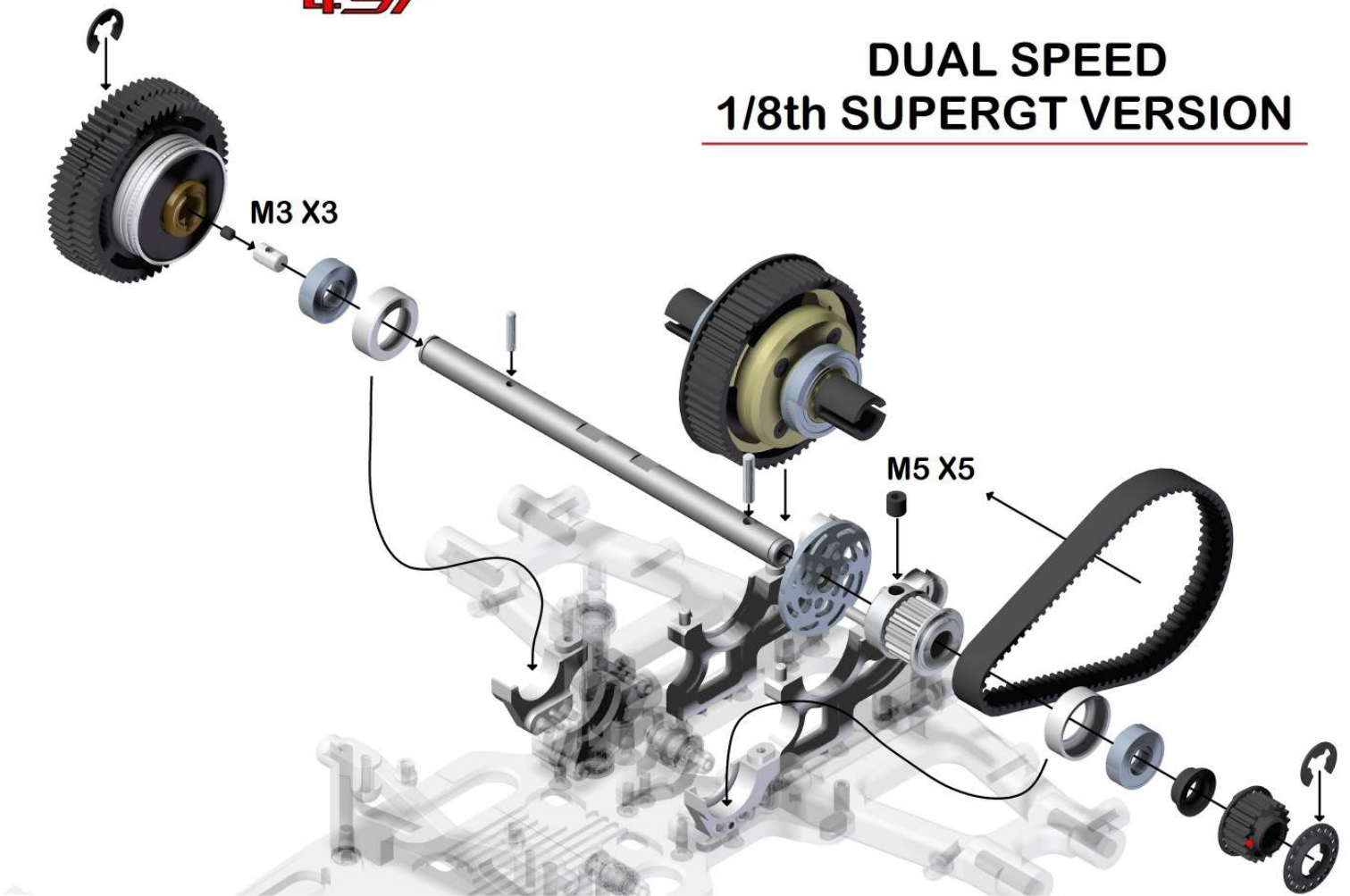
BAG 14

REAR SOLID AXLE

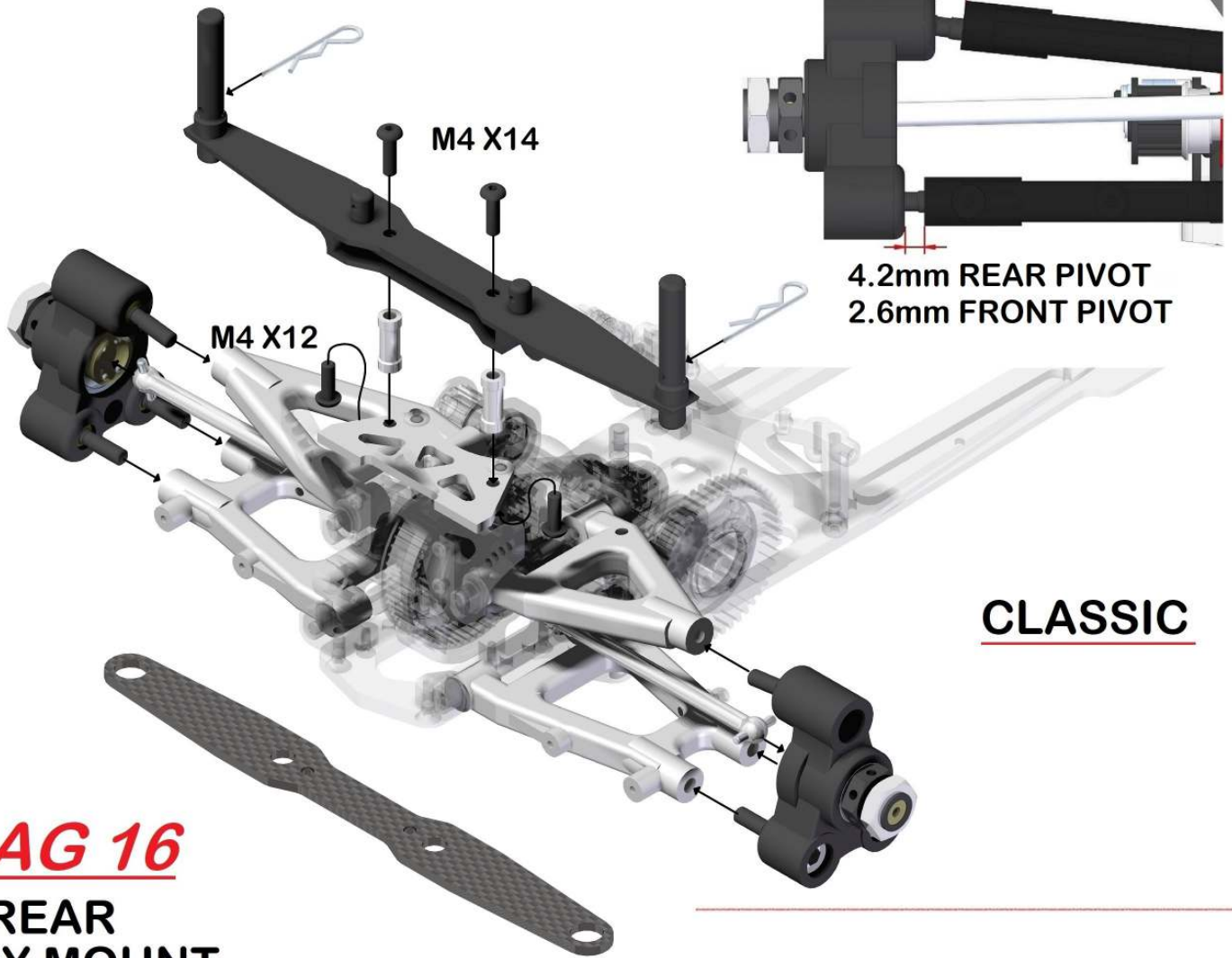
DUAL SPEED 1/8th SUPERGT VERSION



DUAL SPEED 1/8th SUPERGT VERSION



i-FENIX 4.5T



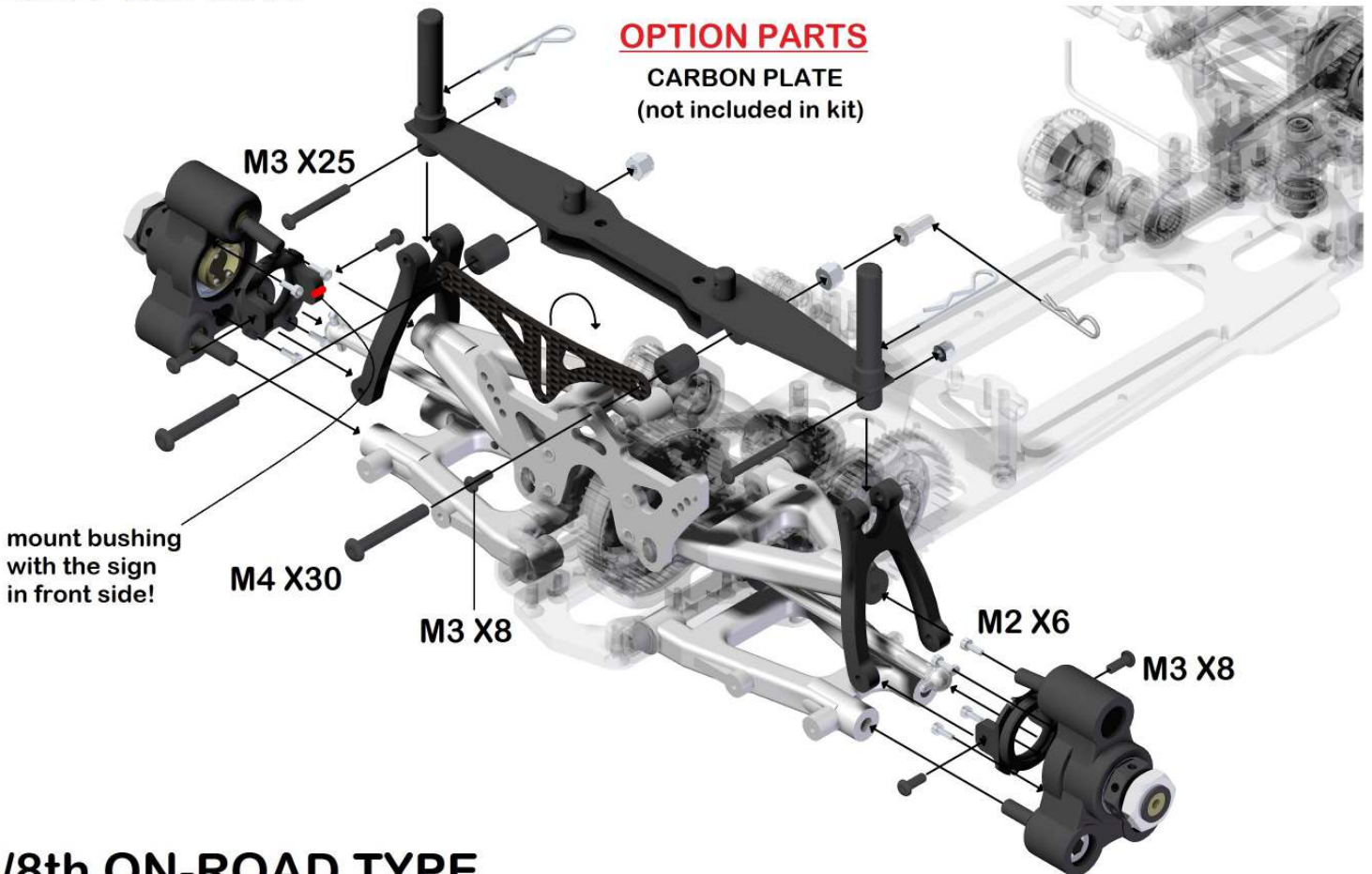
CLASSIC

BAG 16

**REAR
BODY MOUNT**

OPTION PARTS

**CARBON PLATE
(not included in kit)**

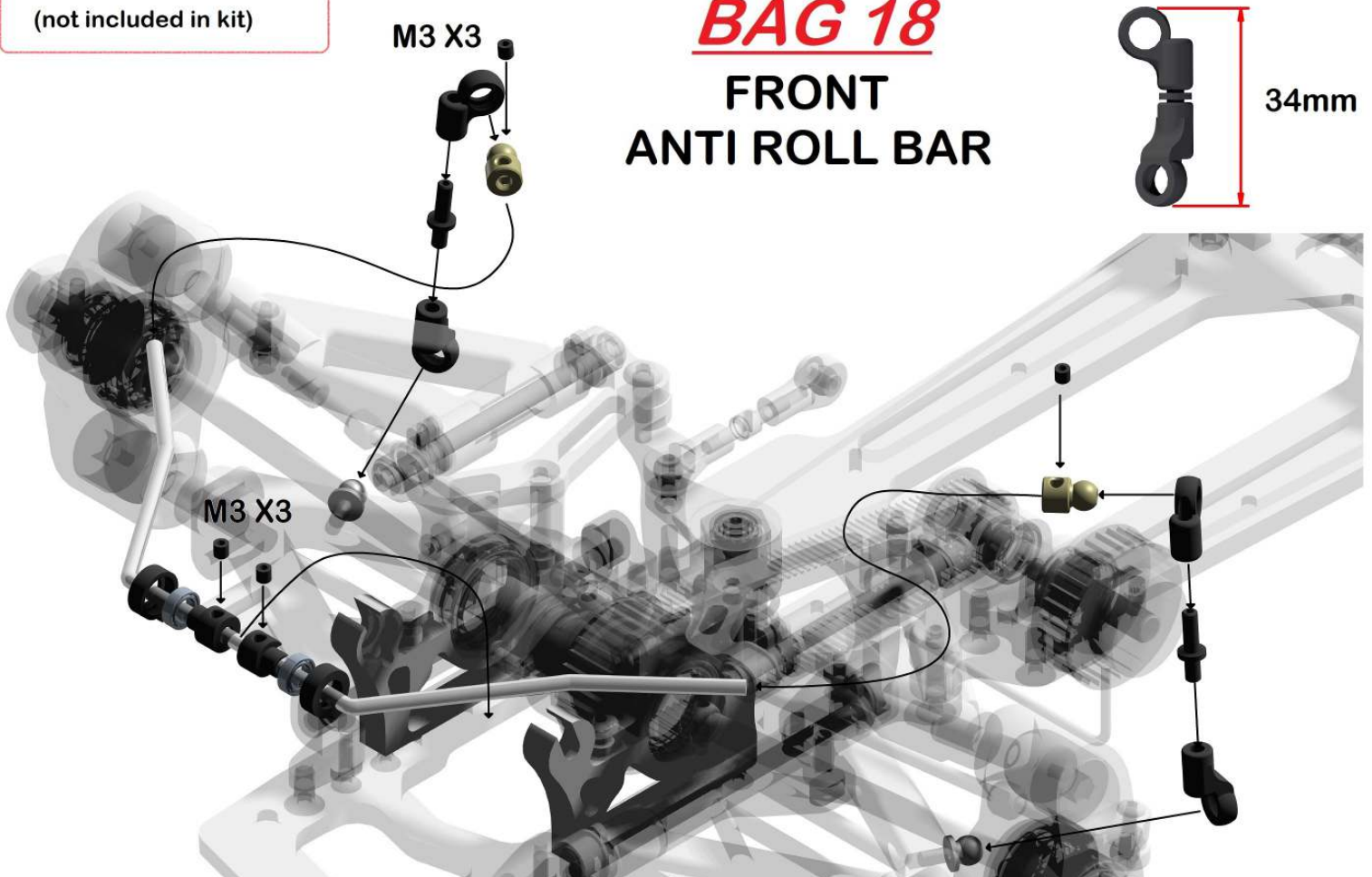


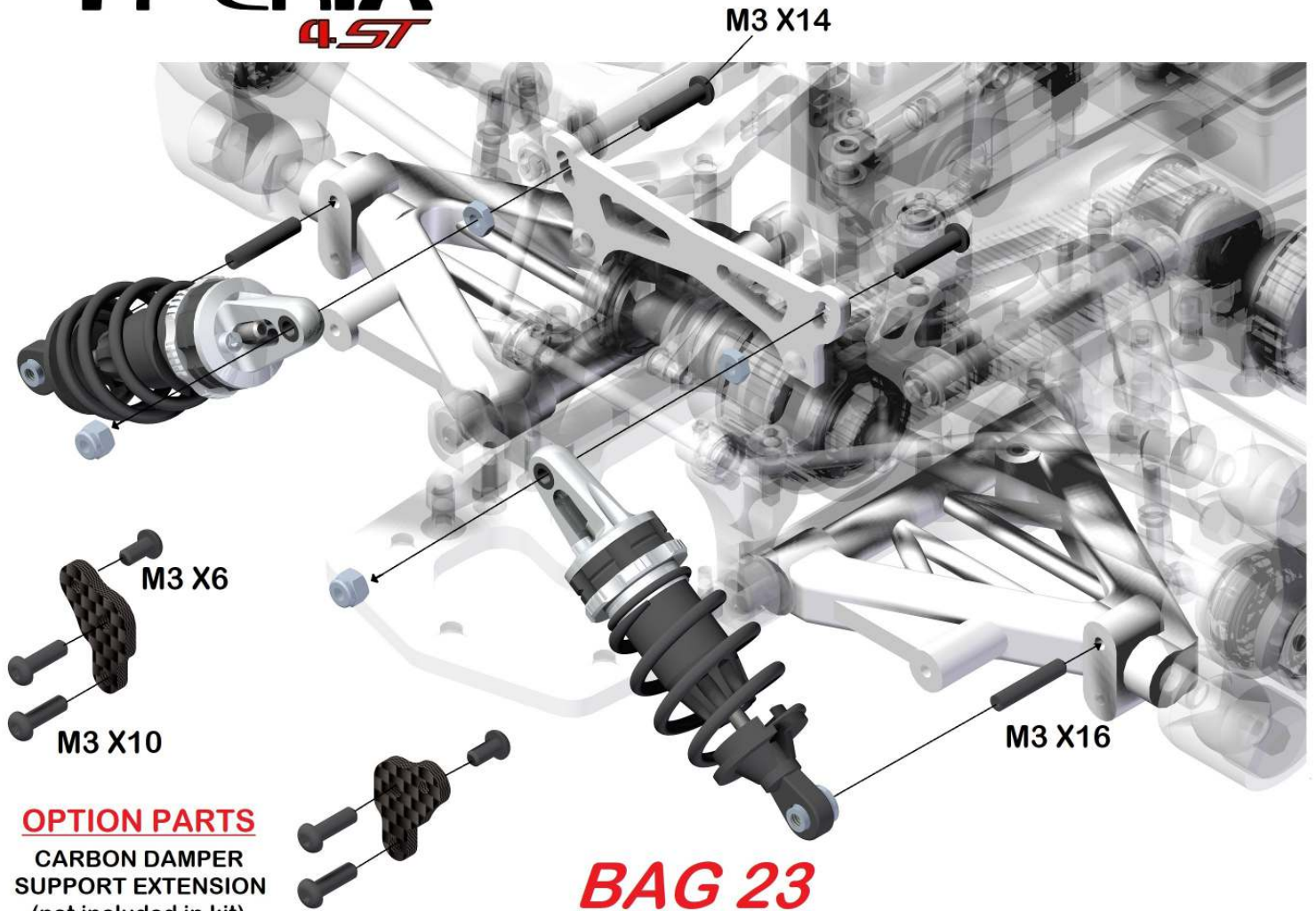
1/8th ON-ROAD TYPE

BAG 17 REAR ANTI ROLL BAR



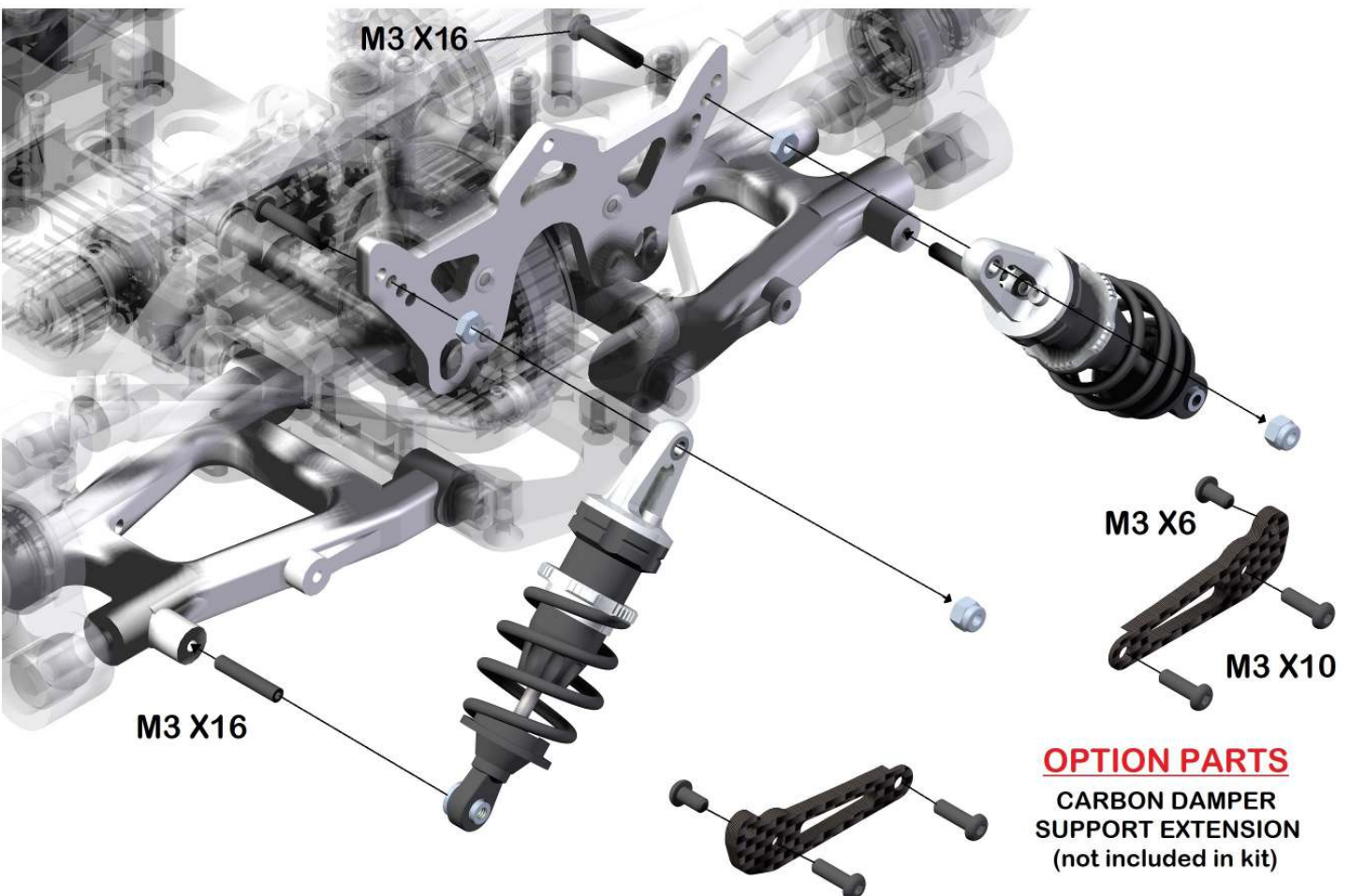
BAG 18 FRONT ANTI ROLL BAR





BAG 23

FRONT - REAR SHOCKS ASSEMBLY





DESIGNER

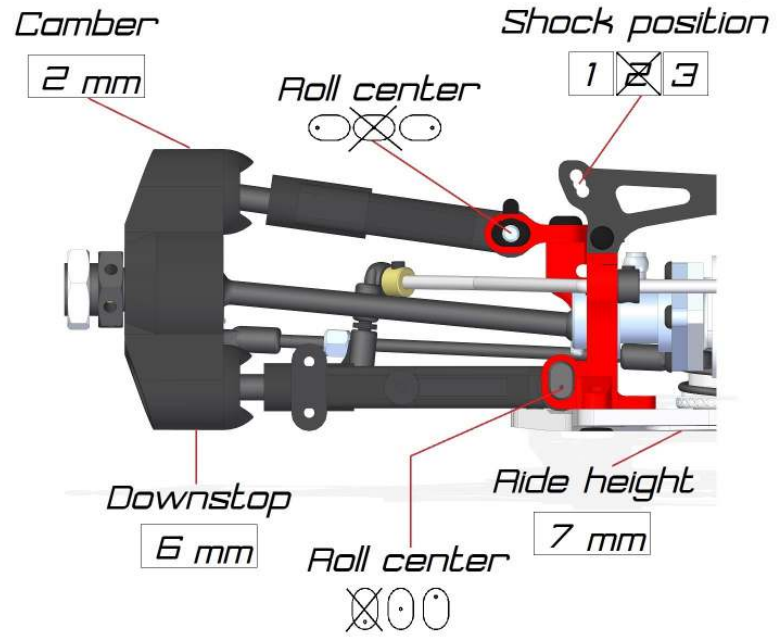
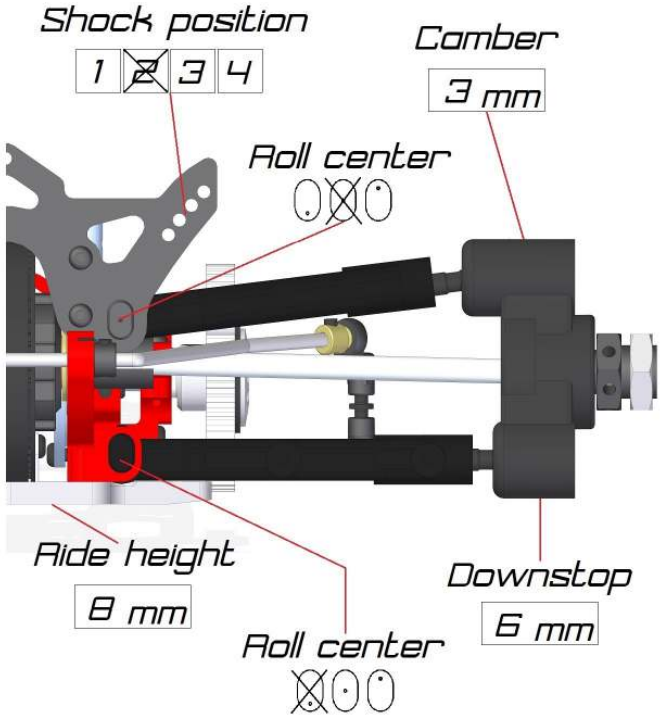
Stefano Campanelli

MANUAL

Lorenzo Felici

I-FENIX
4.5T

DRIVER	
DATE	27 MARCH 2020
TRACK	START SETTING



Rear differential silicone oil

30.000 cps

Clutch

Pinion

1st	t
2nd	t

Shock absorbers

	Front	Rear
Spring	BLACK	BLACK
Oil	800 cps	800 cps
Piston	2X1.0 \varnothing	2X1.0 \varnothing
Extensor	<input checked="" type="checkbox"/> N	<input checked="" type="checkbox"/> N

Front differential

<input type="checkbox"/>	soft
<input checked="" type="checkbox"/>	medium
<input type="checkbox"/>	hard

Spur gear

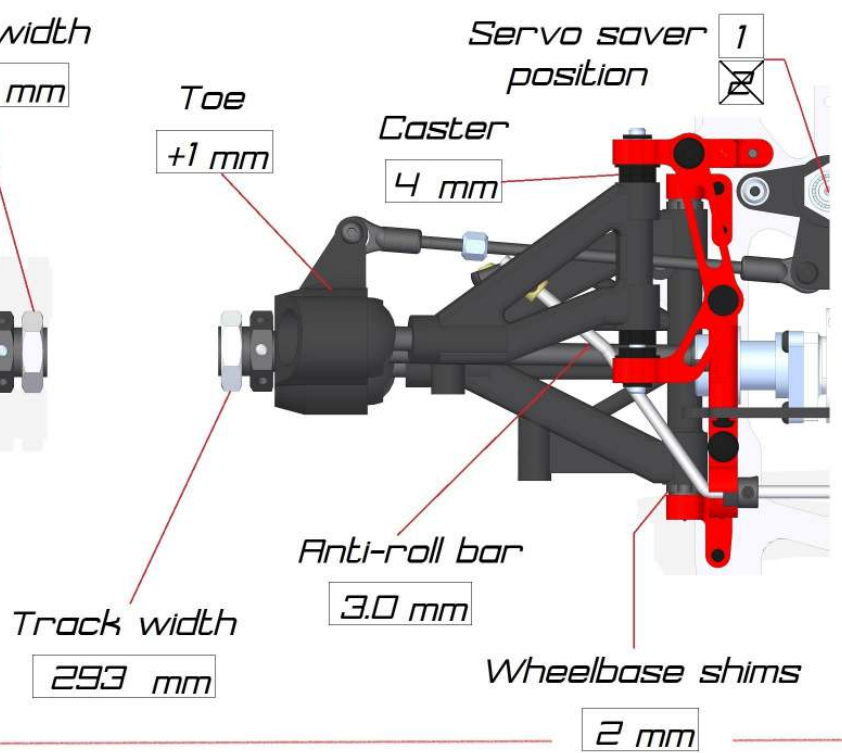
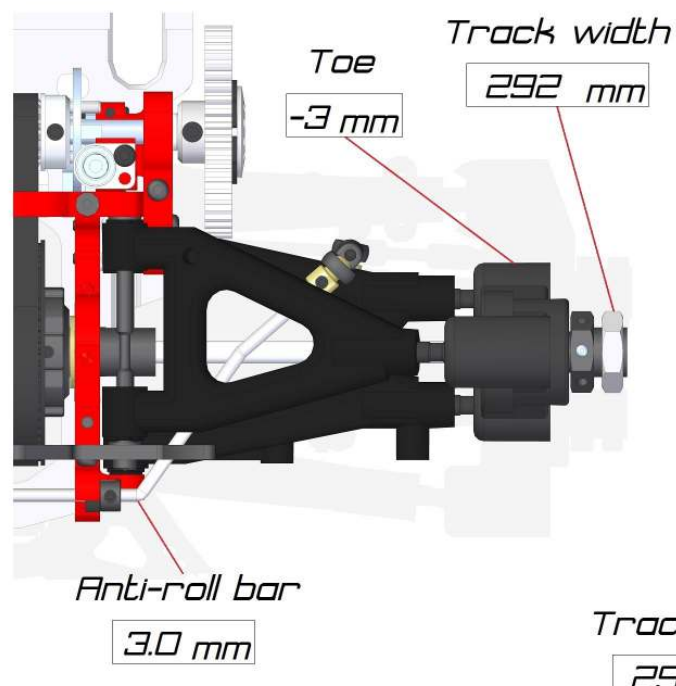
1st	t
2nd	t

Engine

Pipe / Manifold

Tyres

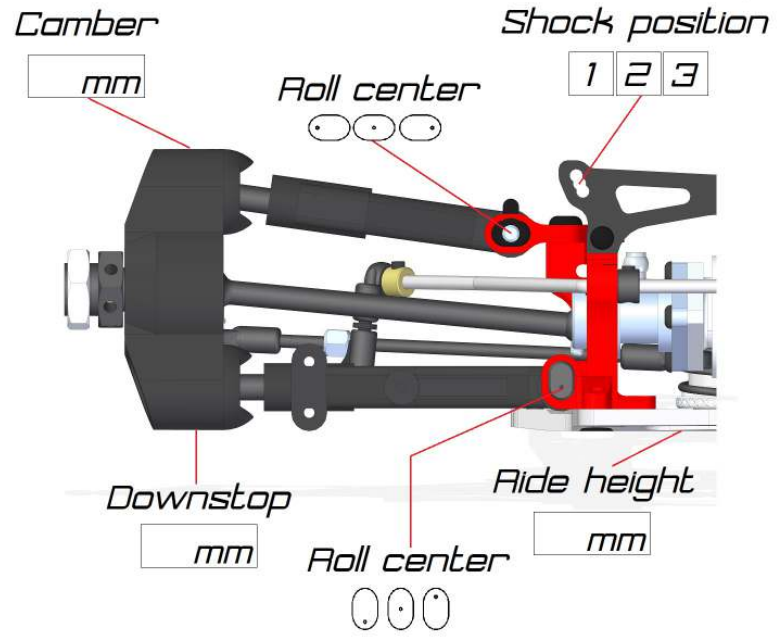
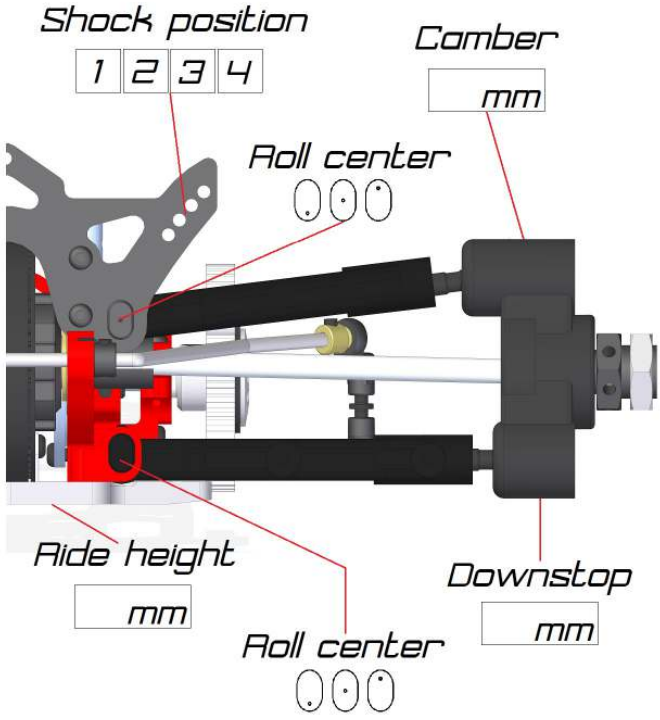
Body



DRIVER

DATE

TRACK



Rear differential silicone oil cps

Clutch

Pinion

1st t

2nd t

Shock absorbers

	Front	Rear
Spring	<input type="text"/>	<input type="text"/>
Oil	<input type="text"/> cps	<input type="text"/> cps
Piston	<input type="text"/> Ø	<input type="text"/> Ø
Extensor	<input type="checkbox"/> Y <input type="checkbox"/> N	<input type="checkbox"/> Y <input type="checkbox"/> N

Front differential

soft

medium

hard

Spur gear

1st t

2nd t

Engine

Pipe / Manifold

Tyres

Body

